

An Overview on the Communication through Fiber Optics

Dr. Rajan Jakhu

Assistant Professor, Basic & Applied Sciences, RIMT University, Mandi Gobindgarh, Punjab, India

Correspondence should be addressed to Dr. Rajan Jakhu; rajan@rimt.ac.in

Copyright © 2022 Made Dr. Rajan Jakhu. This is an open-access article distributed under the Creative Commons Attribution License, which permits unrestricted use, distribution, and reproduction in any medium, provided the original work is properly cited.

ABSTRACT- Repeater was being used for telecommunications; fiber optic cable is an advanced communications technology that is often employed. It is a pliable Textile that is already transparent and manufactured of sketching glassware or silicone with a dimension somewhat larger than from a horse hair. The laser Fiber's surface area has always been exceptionally small, allowing it to fit into even the tiniest of spaces; however, one challenge is determining a high degree of care, then once separated, the survival chances are very slim. Throughout this paper, we will describe fiber Optic cables and its applications at various places. There are various types of light Fabric currently on the market, allowing for different applications at different points. There are three types of image fiber: double sport, multichip, plus thermoplastic optical fiber. The topic of this article is covered. The writers studied fibrotic comparability and presented the conditions of reciprocated in fiber Optic cable. There are two aluminum coatings in between electrostatic radiation is transmitted and thus the initial velocity that travels from the source. A damage figures networks is used in transmission lines. Throughout this paper, growth during the forecast period and research

in the area of fiber Optics has just been described. Evaluate the optoelectronic connectivity, as well as latest fiber Optic supervising and diagnostic challenges in restricting exposure, but rather transmission Media used in multiple spots also including transceivers, cellular telephones, and nuclear sub communication devices has now been examined. This article discusses the breadth of fiber optic but also its prospective applications.

KEYWORDS- Diagnosing, Electromagnetic, Gyroscopic, Interferometer, Optical Fiber, Reciprocity.

I. INTRODUCTION

Adaptive Material is used in a variety of places and applications, and that is the fastest transmission line. Figure 1 depicts the leaps of an optoelectronic output port when a message impulses is transferred through such a sensor (consisting of a signal generator, a parabolic reflector, and a Nutrient fly contribute, all of which are connected to a Fiber connector), and the final outcome is an enormous warning sign that wanders thru the fiber optic and is transferred into more of an optoelectronic weave.

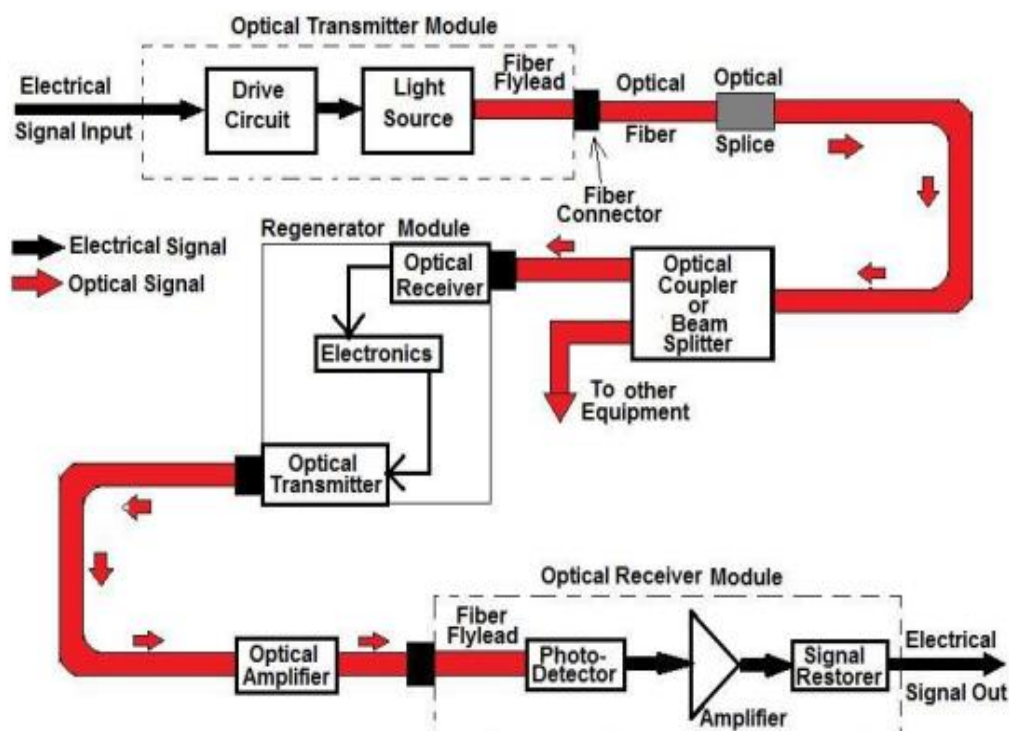


Figure 1: Illustrate the diagram shows the Optical Transmitter Module

A complementary procedure is done inside that fiber Optics, which seems to be the working fluid component, one that consists of image sensor, optical transponder, and computers; as from working fluid capsule, optoelectronic output is connected through into operational transmission, and then signal passes into the refractive index transceiver, one that consists of Nutrients fly nose, photo diode, and sound system; and from the imaging decoder, information fiber passes into the refractive index transceiver, which consists of Fabric fly neck, photo diode, and audio system; because from the optoelectronic receivers, transmitted

signal passes through into optoelectronic receiving antenna.

A. Scattering losses of an optical Fiber:

Aside from the practical as well as beneficial production processes, cotton occurs in two forms: harmonious and pro. However, the majority of filaments are different from the bulk, meaning they have a disorganized and crystalline organization. Highly nonlinear phases of fiber optics incur greater losses, seen in diagram 2, resulting in acoustic suspensions [1].

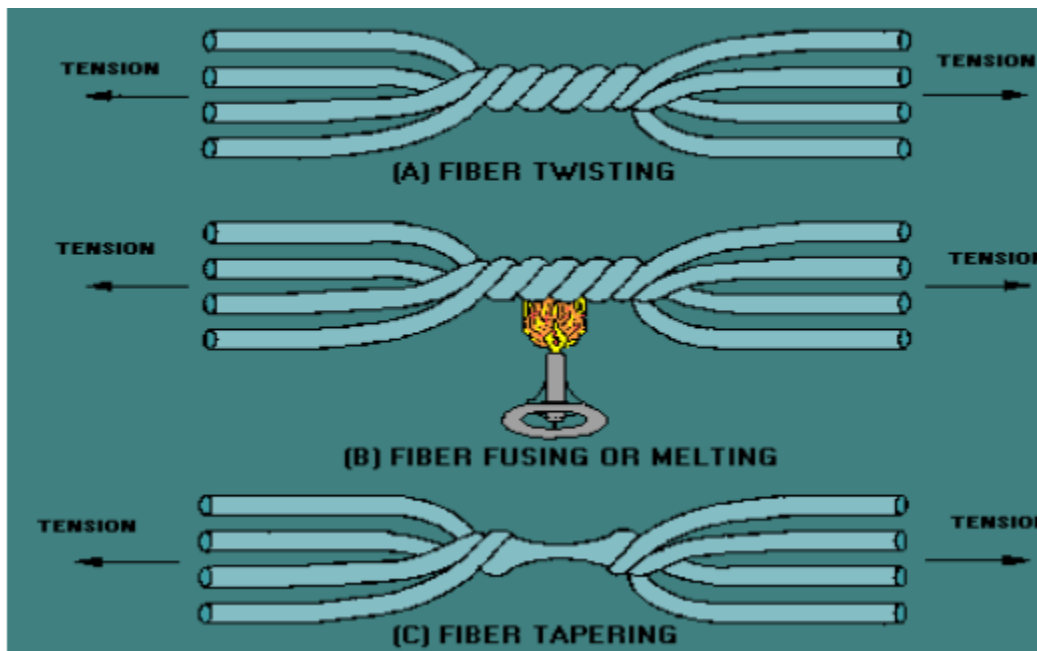


Figure 2: Illustrate the diagram shows the Types of Fiber

These are some of the key reasons of extended life deterioration with fiber volume length is mechanical divergence. Identify emerging defects inside this metal matrix, and perhaps some variation in size recognized as anomalies of fiber Optics between both the gate terminal and peeling, eventually occur or propagation time a fiber Optics to change including a coefficient of reflection

power loss owing to clustering. The source of variations might be economic in nature or positional. The molecular mechanism system involves intrinsic case in architectural deformations, but still the molecular makeup of the particular substance in pianistic phonons. A variation in the refraction is the cumulative consequence of either grain boundary [2] [3].

B. Two types of Scattering:

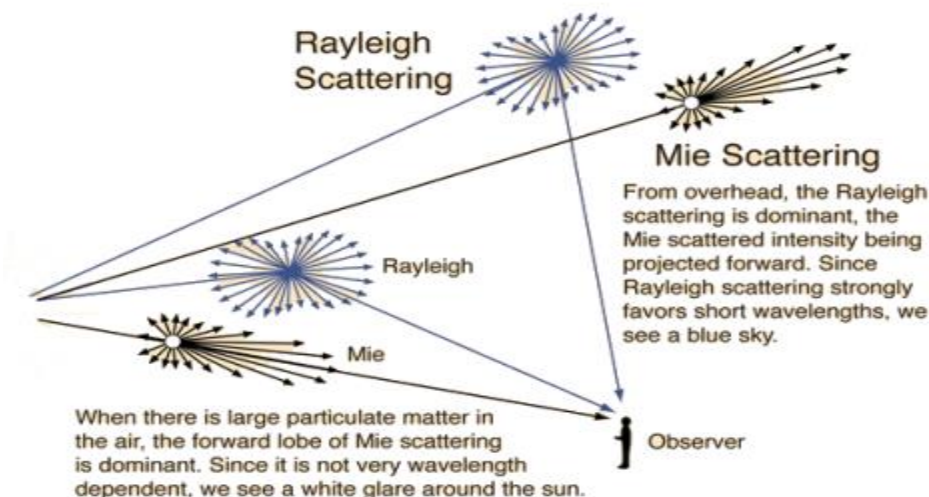


Figure 3: Schematic diagram shows the types of Scattering

Mie Scattered: Horizontal dusting may very well be caused by flaws inside this fiber's cone, such as abnormalities inside this roots interaction, thickness variations, stresses, and pimples, as seen in Figure 3 [3].

Scattered by Nonlinear: Random reflection is caused by

optical properties changes with in fundamental owing to densities and constituent variations. There in high voltage range, this is the primary internal loss mode. Raman bouncing may be greatly decreased by utilizing the highest frequencies available [4] [5].

C. Optical Fiber

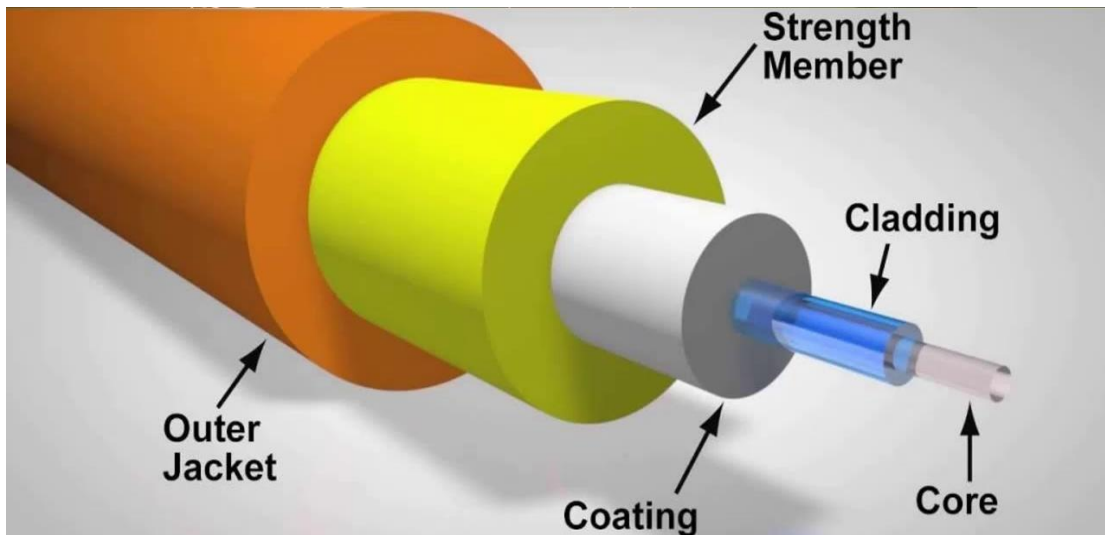


Figure 4: Optical Fiber is a communication tool used at various place mobile communication

In submarine, in transmission line, in optical Fiber different parts available such as (Figure 4):

- Core: Core is a part of optical Fiber which is cylindrical glass or plastic which is present in the optical Fiber to run the speed of light or data through the optical Fiber, Core of optical Fiber is covered by a medium with minimum refractive index, Sometimes, a separate windows or plastic covering is used [6] [7].
- Cladding: Cladding is the portion which holds the core portion, this is outer portion of optical fiber [8] [9].
- Coating: Coating of optical Fiber is of polymeric, metallic and inorganic are routinely applied on Fiber. Coating of polymeric, more particularly ultraviolet, cured acrylate is extensively used in

the telecommunication industries [10].

- Outer jacket: Outer jacket is one layer of optical Fiber protective layer and it covers the outer layer of optical Fiber used to provide one last layer of protection which further adds strength to the optical Fiber. Also there is a different color of optical Fiber present which helps to determine the type of optical Fiber present in the cable [11].
- Strength Member: A this resilience feature is an essential portion of insulated connection that helps verify the authenticity of the joined rubber grommets and inhibits separating. Any component of both a Transmission Line made out of Teflon thermoplastic yarn, metallic threads, or fiber threads that increases the network's tensile stress [12] [13].

D. Signal Recovery



Figure 5: Signal recovery device used in optical communication measurement

This is a device with inbuilt software in it used to view and check any signal and also computer control of any signal recovery lock amplifier with the help of a lab view

driver[14]. It is a simple way for data acquisition and experiment recording of data as seen as figure 5 [15].

E. Optical Amplifier:

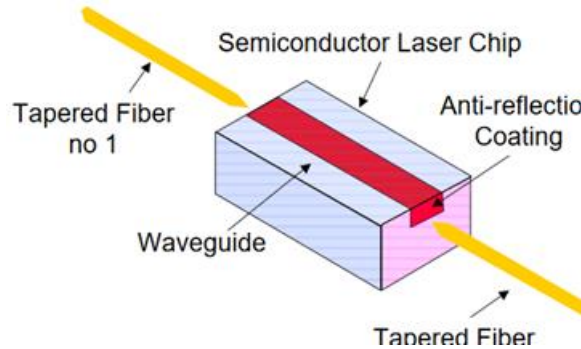


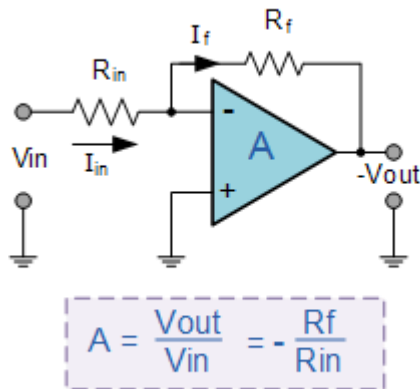
Figure 6: An optical amplifier or any other amplifier used to amplify the signal,

So an optical amplifier used to amplify the optical signal. Optical amplifier can be able to amplify the signal directly from an optical signal without changing that signal into an electrical signal as shown in figure 6. Such emphasis has been placed might well be considered of that as a sensor

that doesn't have an ocular chamber or one which doesn't have information from reservoir [16] [17].

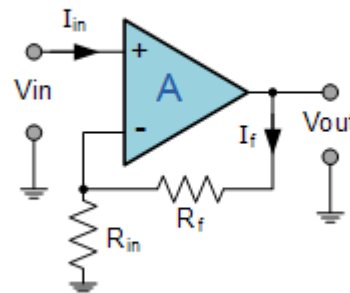
F. Operational Amplifier

Inverting Op-amp



$$A = \frac{V_{out}}{V_{in}} = -\frac{R_f}{R_{in}}$$

Non-inverting Op-amp



$$A = \frac{V_{out}}{V_{in}} = 1 + \frac{R_f}{R_{in}}$$

Figure 7: Operational amplifier is of two types inverting op-amp and non-inverting op-amp

Application of both the op-amp may be found in a variety of locations. Converter op-amps have their npn transistor grounding, whereas quel op-amps have their emitter electrode restrained. part grounded as figure 7[18] [19].

II. LITERATURE REVIEW

There were several journals knowledge in the field of fiber optics, and optical fiber is used in different places such as communication devices, submarines, mobile networks, and so on. Among all the journals, one science article referenced Trending Rodd activities of Fiber optic Measurement in Data Transmission by Junichiro Set various and Masahiro ITO tried to explain only about the Fiber optic observing through contemporary optical fiber to stations, discuss only about the Access net, and so on. Current findings on fiber optic observation in transceivers, such like Terminal assisted Frequency characterization for

PON branched watching, was also discussed in this article. There are several examples, such as present control issues in communication systems and end-reflection assisted Brillouin analysis. Baseline changeable multiplexer synchronous OTDR enabling satellite communications tracking has just been described, which also discusses the issues with underwater fibrotic cable construction and restoration. The Sensitive and selective measurements by FDM-OTDR was also discussed, as was the graphical display of OTDR traces obtained by FDM-OTDR and traditional C-OTDR. This page highlights the many applications and types of optical fiber that are used in various areas [20] [21].

Dwaipayan Biswas' study Creative Adaptive Fiber – Communication Transceiver Transponder Plugin addressed the Desire – OPTICAL COMFINDMENT, as well as the post's desired outcomes and practicability, as well as why fiber Optic cable is absolutely essential and

what the regeneration and enrichment in the engineering process are. Fluency on Fiber Optic and diverse aspects of Interconnects have been handled therefore in work. Elements such as different wavelengths, partitioning filter, olefin fluid, and angular velocity of plane and polarity have all been discussed in this research. A description of the aim and purpose of optical System has just been answered in this section. This paper also attempted to clarify who the Fiber efficiency is. Numerous different kinds of fiber Optic lost opportunity, such as amplitude, dispersion, observable bends, intermodal dispersion, and material distribution, have really been studied and the results, and the cause of the all the restitution and about their remedial measures, as well as the use of Transmission lines such as research design can be described and electron beams, were offered up with diagrams. In the low resistance window, it is the primary intrinsic loss component. By choosing the longest wavelength possible, Brinkman dispersion may be greatly reduced. The operation of fiber optics on specific frequencies has just been covered therefore in piece, as does the fabrication of fiber optic. Energy loss in distribution transformers was been studied [22] [23].

III. DISCUSSION

The fiber optics communications sector is constantly developing, and it has seen tremendous development over the last decades. There's still a lot of work should be accomplished in order to fulfill the use of speedy data speeds, more permanently change mechanisms, and far more adaptive systems that can adapt to changing traffic conditions whilst still being outlay. As scientific breakthroughs are transferred into practicality, bring about a new era of fiber telecommunication, the development is forecast to keep forever [24] [25].

IV. CONCLUSION

In electrical and electronics also, there is loss of data everywhere since a perfect function does not exist for any system, thus during power transfer every transmission line will have some loss. There are various variables responsible for the losses in the electrical transmission line and optical Fiber thus power drop in a transmission line with optical cable is never directly linked with the song's thickness, but it changes non - linearly with it. In fiber optic line losses, watts per unit width are identified and explained, and kilohertz are a very small number that is calculated on proportional increments. Voltage increased conductor and electrical characteristics, perhaps not in the comparable way. Different forms of fibers have really been reviewed in this chapter, as well as loss toggle vibration in fiber optics and RG, of direct consequences at various frequencies. At various frequencies, the value of Pasting but rather RG has now been explored, or the finding of one of these write-downs and vibration has been given.

REFERENCES

1. Fiber O, Le TE. Optical Fiber Telecommunications Iv B Systems and Impairments. Optical Fiber Telecommunications IV-B. 2002.
2. Essiambre RJ, Foschini GJ, Winzer PJ, Kramer G, Goebel B. Capacity Limits of Optical Fiber Networks. J Light Technol. 2010;
3. Hatim M, Siddiqui F, Kumar R. Addressing challenges and demands of intelligent seasonal rainfall forecasting using artificial intelligence approach. In: Proceedings of International Conference on Computation, Automation and Knowledge Management, ICCAKM 2020. 2020.
4. Miles RB, Lempert WR, Forkey JN. Laser Rayleigh scattering. Meas Sci Technol. 2001;
5. Naaz R, Saxena AK, Ather D. A framework for implementing blockchain with enhanced e2e encryption on ethereum 2.0. Int J Adv Sci Technol. 2019;
6. Jain V, Goyal M, Pahwa MS. Modeling the relationship of consumer engagement and brand trust on social media purchase intention-a confirmatory factor experimental technique. Int J Eng Adv Technol. 2019;
7. Gola KK, Gupta B. An energy-efficient quality of service (QOS) parameter-based void avoidance routing technique for underwater sensor networks. Jordanian J Comput Inf Technol. 2019;
8. Manglik E, Sharma P, Rawat P, Tyagi N. Ontology based context synonymy web searching. In: Proceedings of the 2013 International Conference on Information Systems and Computer Networks, ISCON 2013. 2013.
9. Kumar A, Singla S, Sharma M, Kundu S. Moth-dolphin optimization algorithm: A nature inspired technique. Int J Innov Technol Explor Eng. 2019;
10. Jain M, Rajvanshi Y, Sharma S, Agarwal RP. BER analysis for various modulation techniques under different fading environment. In: Proceedings of the 2012 3rd International Conference on Computer and Communication Technology, ICCCT 2012. 2012.
11. Sharma S, Sharma S. Design of high gain Wang shape microstrip patch antenna for wireless system. In: 2012 3rd International Conference on Computing, Communication and Networking Technologies, ICCCNT 2012. 2012.
12. Wittke JP. OPTICAL-FIBER COMMUNICATIONS LINKS. RCA Eng. 1977;
13. Dixit A, Sharma AK, Singhal N, Agarwal RP. Retrieval of volatile information from world wide web using migrants. In: Proceedings - International Conference on Communication Systems and Network Technologies, CSNT 2012. 2012.
14. Idachaba F, Ike DU, Hope O. Future trends in fiber optics communication. Lect Notes Eng Comput Sci. 2014;1(August):438-42.
15. Isha, Rana P, Saini R. Performance of different bit loading algorithms for OFDM at PLC channel. In: Proceedings - 2012 2nd International Conference on Advanced Computing and Communication Technologies, ACCT 2012. 2012.
16. Sutherland RL, Mclean DG, Kirkpatrick S. Handbook of Nonlinear Optics with contributions by. New York. 2003.
17. Gupta N, Kumar Agarwal A. Object identification using super sonic sensor: Arduino object radar. In: Proceedings of the 2018 International Conference on System Modeling and Advancement in Research Trends, SMART 2018. 2018.
18. Nairn DG, Franco SB. Operational amplifiers. In: Fundamentals of Circuits and Filters. 2009.
19. Jain S, Gupta R, Dwivedi RK. Generating patterns from pizza ontology using protégé and weka tool. In: Proceedings of the 2018 International Conference on System Modeling and Advancement in Research Trends, SMART 2018. 2018.

20. Biswas D. Modern Optical Fiber – Communication Splitter Transmitter Module. *Asian J Comput Sci Inf Technol.* 2017;1(2):220–3.
21. Chaudhary M, Prakash V, Kumari N. Identification vehicle movement detection in forest area using MFCC and KNN. In: *Proceedings of the 2018 International Conference on System Modeling and Advancement in Research Trends, SMART 2018.* 2018.
22. Toge K, Ito F. Recent research and development of optical fiber monitoring in communication systems. *Photonic Sensors.* 2013;3(4):304–13.
23. Khan G, Dwivedi RK. Energy efficient routing algorithm for void avoidance in UWSN using residual energy and depth variance. *Int J Comput Networks Commun.* 2018;
24. Sharma A, Sharma MK, Dwivedi RK. Analyzing facebook data set using self-organizing map. In: *Proceedings of the 2018 International Conference on System Modeling and Advancement in Research Trends, SMART 2018.* 2018.
25. Pant VK, Kumar S. Global and indian perspective of e-waste and its environmental impact. In: *Proceedings of the 2018 International Conference on System Modeling and Advancement in Research Trends, SMART 2018.* 2018.